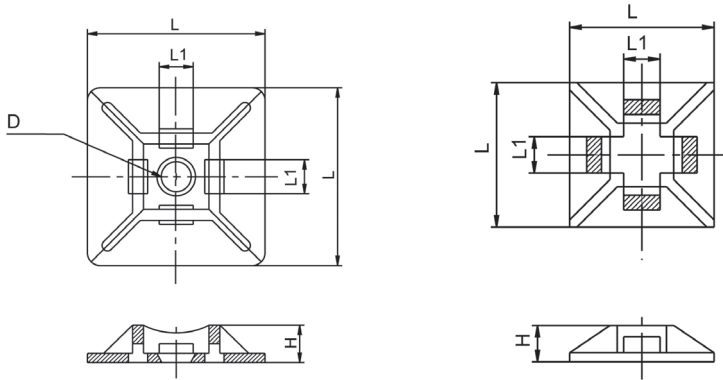
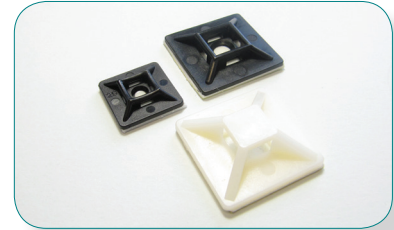


Self adhesive cable tie mounts

Material : Polyamide 6.6
 Color : Transparent / black (UV resistant)
 Temperature range : -40 °C up to +85 °C
 Flammability : UL 94 V2



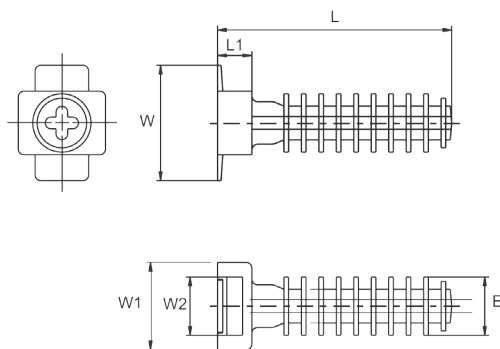
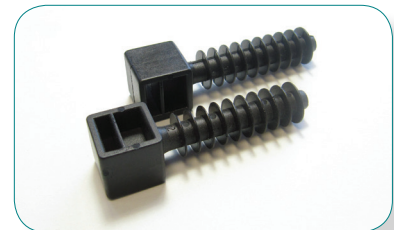
MB 19x19mm / MB 28x28mm

MB 12x12 mm

Typenr.	L (mm)	H (mm)	For cable tie width up to (mm)	D (mm)	Packing (pcs)
MB 12x12mm	12,7	3,2	3,2	-	100
MB 19x19mm	19,0	4,4	4,0	Ø 3,5	100
MB 28x28mm	27,7	5,7	5,3	Ø 5,7	100

Wallplug for cable ties up to 9 mm wide

Material : Polyamide 6.6
 Color : Transparent / black (UV resistant)
 Temperature range : -40 °C up to +85 °C
 Flammability : UL 94 V2



Typenr.	L (mm)	L1 (mm)	W (mm)	W1 (mm)	W2 (mm)	E (mm)	Packing (pcs)
GTN 9	40,5	5,9	20	15	10	Ø 9,5	100